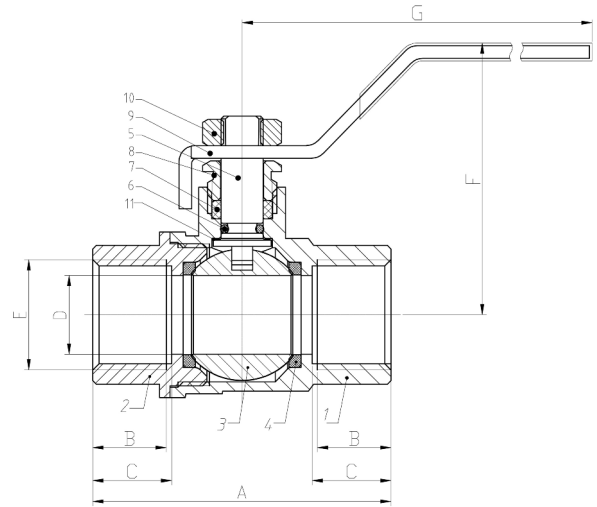


Brass Nickel Plated Full Bore Ball Valve c/w Standard Lever



TECHNICAL DESCRIPTION

FUNCTION

Shut-Off

SIZE RANGE

DN08 - DN50 (1/4" - 2")

PRESSURE RATING

PN40

TEMPERATURE RANGE

-20°C ~ 120°C (Gas MOP 5 -20 °C ~ 60 °C)

BODY MARKING

DN, PN, Batch Date, CW617N

COLOUR

Handle: Yellow

APPROVALS

WRAS

Gas EN331:1998+A1:2010

MATERIAL CONSTRUCTION AND SPECIFICATION

- | | |
|--------------|---------------------------------------|
| 1. BODY: | CW617N Brass Nickel Plated |
| 2. BONNET: | CW617N Brass Nickel Plated |
| 3. BALL: | CW617N Brass Chrome Plated (Polished) |
| 4. SEAT: | PTFE |
| 5. STEM: | CW617N Brass Nickel Plated |
| 6. O-RING: | VITON |
| 7. PACKING: | PTFE |
| 8. LOCK NUT: | HPb57-3 Brass |
| 9. HANDLE: | Q235 Chrome Plated and PVC Sleeve |
| 10. NUT: | Stl/Stl (White Zinc Plating) |
| 11. GASKET: | PTFE |

CONNECTION

ISO-7/2000 Rc Taper, ISO-7/2000 Rp Parallel, NPT

DIMENSIONS (mm)

SIZE	1/4"	3/8"	1/2"	3/4"	1"	1 1/4"	1 1/2"	2"
CODE*	CP90LY-x008	CP90LY-x010	CP90LY-x015	CP90LY-x020	CP90LY-x025	CP90LY-x032	CP90LY-x040	CP90LY-x050
A	45	45	56.7	67	77	88	99.3	121
B	10	10	14	16.5	18	18.5	19.5	24.5
C	11.5	11.5	15	18	19.5	20	21	26.5
ØD	10	10	14.5	19	25	32	40	49
E	1/4"	3/8"	1/2"	3/4"	1"	1 1/4"	1 1/2"	2"
F	41.2	41.2	48	55	55	80	87	92
G	80	80	88	100	125	140	140	165
PN	40	40	40	40	40	40	40	40
Kv								
WEIGHT(g)	142	162	210	315	476	730	980	1586
PACKING	10/120	10/120	6/120	20/80	12/48	6/36	4/24	4/16

NB: 1/4" and 3/8" are NOT approved

*substitute x with P for Parallel, T for Taper and N for NPT